

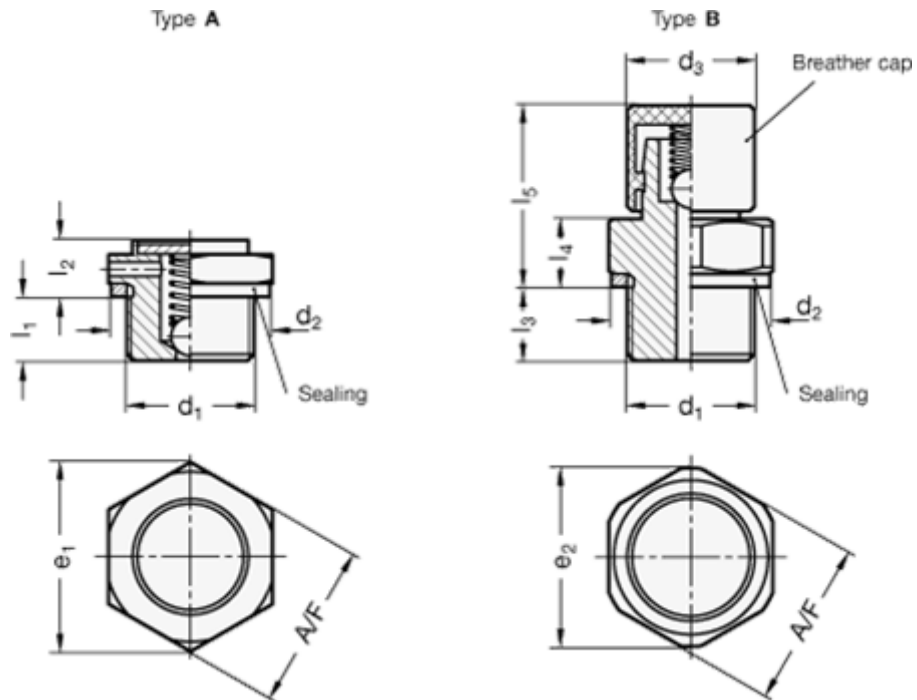
Data Sheet



Article number: 20883G1220AMS

Description: E+G Udluftningsfilter - G 1/2"

Measures



	= -	l2	= 11
	= -	l3	= 8
A/F	= 27	l4	= 8
Air passage l/min.	= -	l5	= 19.5
d2	= 26	Opening pressure in mbar	= Min. 20 - Max 80. mbar
d3	= 13	Thread d1	= G 1/2"
e	= 29		
l1	= 8.5		